

## PROFILE

Operating since 1999, located in China with 48000 square feet plant, ISO 9001 registered and equipped with state of the art equipments, 3T Mold is a world class supplier providing global quality tooling solutions for plastics applications to automotive and non-automotive industries.



### 3T Mold Commitment

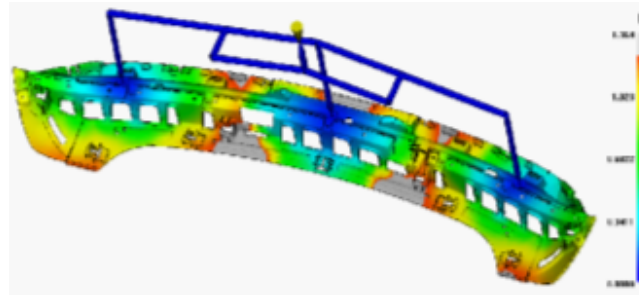
3T Mold is committed to the continual improvement of our quality and service to ensure providing customers with competitive prices, punctual deliveries, and exceptional support and service after sales on their products.

### 3T Mold - Time, Talent, Technology



## SERVICES

- **Program Management & Logistics**
- **Advanced Engineering Services**
- **Prototype and Production Tooling**
- **Gauges & Fixtures**
- **Short and Mass Production Runs**



### MAJOR EQUIPMENT LIST

- 2 CNC Bridge Machining Centers
- 3 High Speed CNC Milling Centers
- 11 CNC Milling Machine Centers
- 7 EDM Burning Machines
- 2 Wire EDM with Angle Cutting
- 6 CNC Lathes
- 1 Die Spotting Press
- 1 Global Plus 686 CMM, 1 Optical Projector
- 22 Presses for Tryout, Short Runs and Mass Production
- 33 Miscellaneous General Machines
- UG, Catia, Pro-E, Powermill, MasterCAM, AutoCAD, Mold-Flow



*Find what you need,  
all in one place!*



**HONDA  
SPECLA  
Activities**



**CMM**

### 3T Mold Co., Ltd.

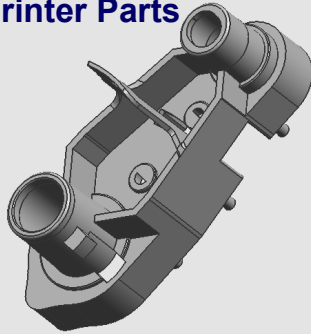
Bld. #7, RongTong Industry Park, No.1 WuLian Industry Rd, FengGang town, DongGuan, GuangDong, China 523695  
P + 86 .7 6 9 .8 2 0 9 7 6 6 6  
F + 86 .7 6 9 .8 2 0 9 7 6 6 5

[www.3t-mold.com](http://www.3t-mold.com)

## PRODUCTS GALLERY

**Prototype tools** –  
Both aluminium alloy  
and S50C mild steel

Printer Parts



Auto  
Parts

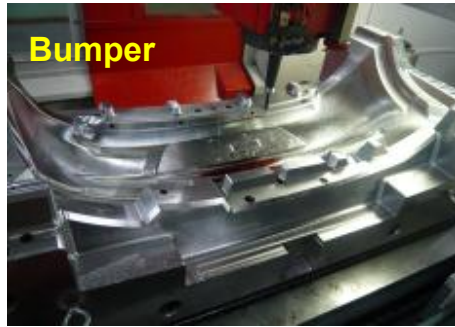


Auto  
Parts



**Automotive molds** –  
interior and exterior trim  
components, under-  
hood applications

Bumper



Door Panel



Pillars



Console Substrates



Speaker Grilles



Under-Hood Covers



Wheel  
Trims



**Non-Automotive molds** –  
Electronics & Communications,  
OA Equipments, Household  
Appliances, Consumer Goods,  
Sporting Goods, Garden  
Products and Construction

BOSCH



Container –  
3500 Ton Press



Cell Phone

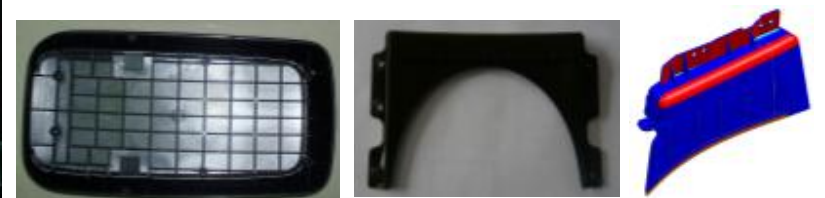
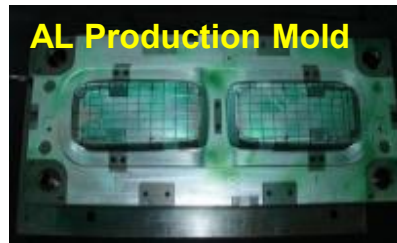


## PRODUCTS GALLERY (CONT')

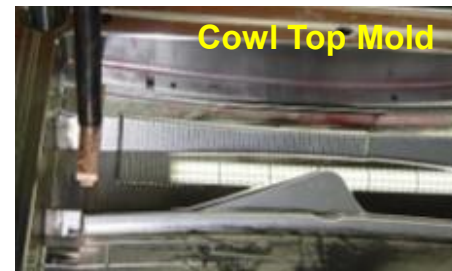
**Mucell** technology molds and parts – Part weight reduction up to 25%, no sink and warpage issues



**Aluminium Alloy** material prototype and **production** molds – Life shots up to 500,000 and process cycle time reduction up to 30%



**Double shots** injection molds – Multi colour or material



**Gauges & Fixtures** – For both automotive and non-automotive

